

**CAST STEEL "Y"
D-KTC
YSC150**

Designed to ANSI B16.34 the strainer bodies are produced with a superior wallthickness for corrosion allowance.

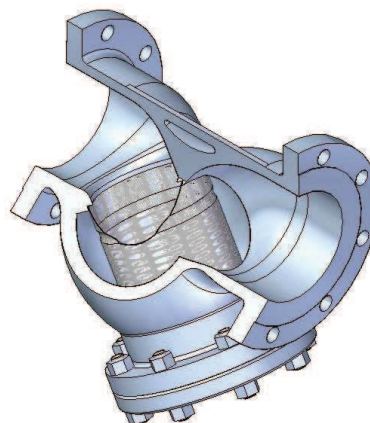
Standard strainers are equipped with screens for the average service of most mediums (steam, gas, air, oil, chemicals , etc.).

The large screen open area ensures an efficient filtering action with a low pressure drop.

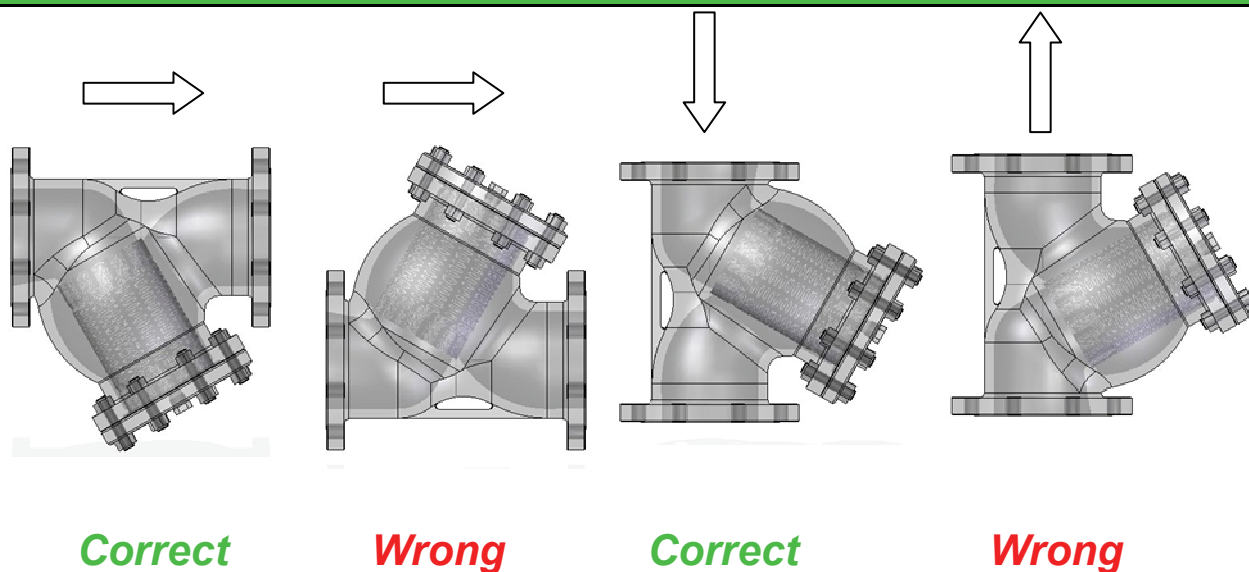
Filtering area to inlet area ratio is larger than 3 to 1 .

Screens area manufactured with perforated plate in the materials and with the perforation specified in the relevant tables .

Screens with different perforation (or wire mesh) and materials may be manufactured on request.



Installation



All strainers should be mounted as close as possible to the valve or machinery which they are being installed to protect. It is important to ensure that the strainer installed with the flow following the same direction as the flow direction arrow cast onto the strainer body.

For mounting in horizontal or inclined pipelines, ensure that the screen housing is always mounted below the pipeline.

CAST STEEL "Y" D-KTC YSC150

CONNECTIONS

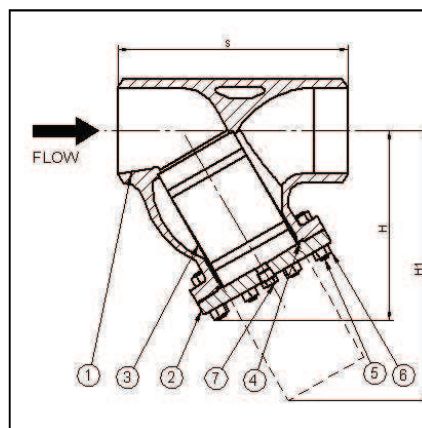
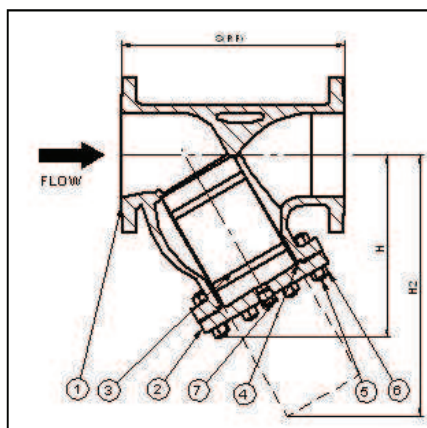
Buttweld	ASME B 16.25
Flanged	ASME B 16.5

LIMITING CONDITIONS

According to the body rating (ANSI B 16.34)
C150 – ANSI 150

Size (Inches)	1/2"	3/4"	1"	1.1/2"	2"	3"	4"	6"	8"	10"	12"	14"	16"	18"	20"	24"
S(RF)[mm]	108	117	127	165	203	241	292	406	495	622	699	788	914	978	978	1295
S [mm]	108	117	127	165	203	241	292	406	495	622	699	788	914	978	978	1295
H [mm]	67	73	87	120	140	210	270	360	460	570	700	770	870	975	1095	1300
H1[mm]	180	210	240	270	190	260	340	400	580	660	800	1200	1400	1530	1750	2040
Weight [kg]	6	9	11	20	14	26	40	68	140	190	270	350	640	700	895	1370

STANDARD PERFORATIONS: 1.5 mm
SPECIAL PERFORATIONS ON REQUEST
DRAIN PLUG: 3/4" NPT



Pos.	Description	Materials		Spares
1	Body	ASTM A216 WCB	ASTM A351 CF8M	
2	Bonnet	ASTM A105	ASTM A182 F316	
3	Screen	SS 316	SS 316	x
4	Gasket	SS 316 / Graph.	SS 316 / Graph.	x
5	Stud Bolts	ASTM A193 B7	ASTM A320 L7	
6	Nuts	ASTM A194 2H	ASTM A194 Gr.4	
7	Drain Plug	ASTM A105	ASTM A182 F316	

OTHER MATERIALS ON REQUEST

