

**CAST STEEL "Y"
D-KTC**

YSC2500 Pressure Seal

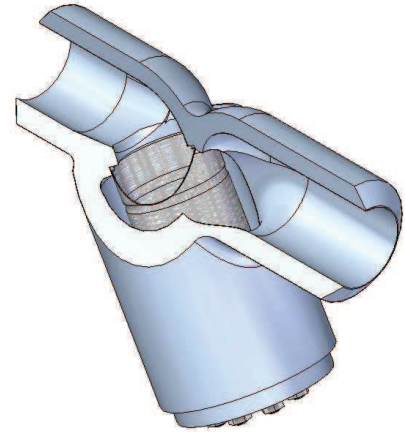
Designed to ANSI B16.34 the strainer bodies are produced with a superior wallthickness for corrosion allowance. Standard strainers are equipped with screens for the average service of most mediums (steam, gas, air, oil, chemicals , ect.).

The large screen open area ensures an efficient filtering action with a low pressure drop.

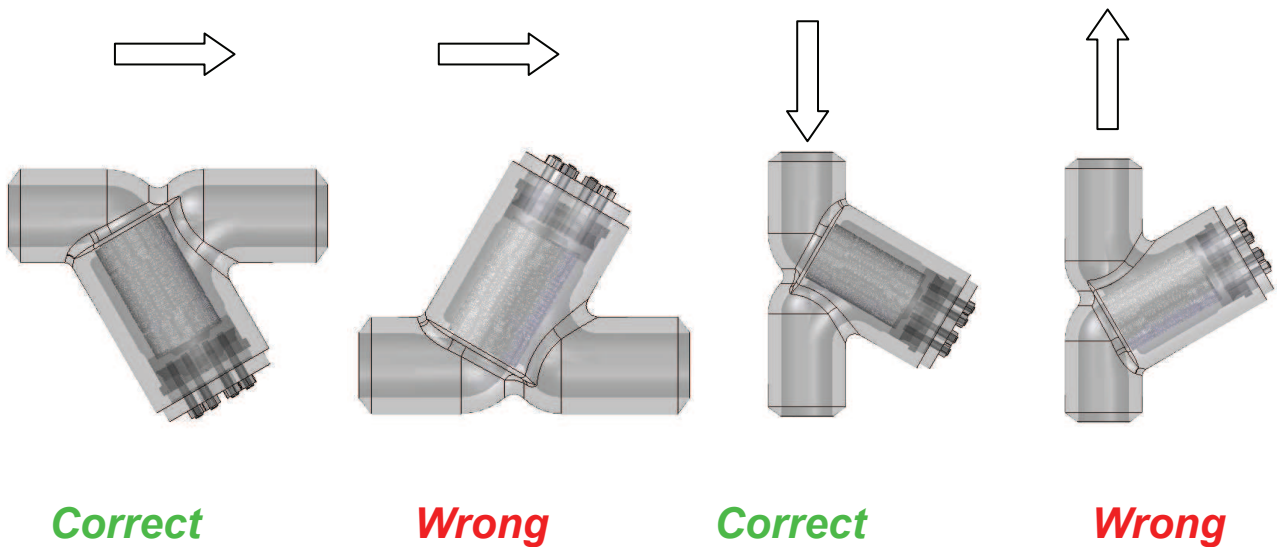
Filtering area to inlet area ratio is larger than 3 to 1 .

Screens are manufactured with perforated plate in the materials and with the perforation specified in the relevant tables .

Screens with different perforation (or wire mesh) and materials may be manufactured on request.



Installation



All strainers should be mounted as close as possible to the valve or machinery which they are being installed to protect. It is important to ensure that the strainer installed with the flow following the same direction as the flow direction arrow cast onto the strainer body.

For mounting in horizontal or inclined pipelines, ensure that the screen housing is always mounted below the pipeline.

CAST STEEL "Y" D-KTC TYPE STRAINERS YSC2500 Pressure Seal

CONNECTIONS	
Buttweld	ANSI B16.25
Flanged	ANSI B 16.5

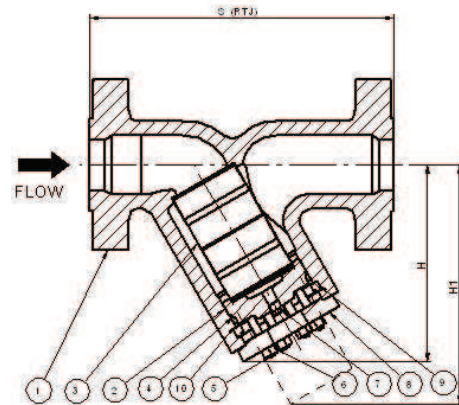
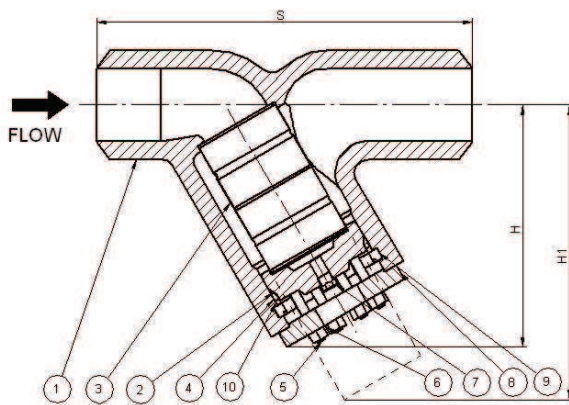
LIMITING CONDITIONS (according to ISO 6552)
According to the body rating (ANSI B16.34) C2500 – ANSI 2500 OTHER RATINGS ON REQUEST

Size (inches)	6"	8"	10"	12"	14"
S	610	762	914	1041	1118
SRTJ	927	1038	1292	1444	-
H	580	570	750	800	820
H1	820	850	1100	1200	1250
kg	-	-	-	-	-

STANDARD PERFORATIONS 1.5 mm
SPECIAL PERFORATIONS ON REQUEST. DRAIN PLUG SIZE 3/4"
Dimension : SRF , S , H , H1 are in millimeters (mm)

POS.	DESCRIPTION	MATERIALS		SPARES
1	Body	ASTM A216 WCB	ASTM A351 CF8M	
2	Bonnet	ASTM A105	A182 F316	
3	Screen	S.S. 304	S.S. 316	X
4	Gasket	S.S. 304	A182 F316	X
5	Stud Bolts	ASTM A193 B7	ASTM A320 L7	
6	Nuts	ASTM A194 2H	ASTM A194 Gr.4	
7	Drain plug	A105	S.S. 316	
8	Disk Joint	ASTM A105	A182 F316	
9	Retain ring	ASTM A182 F6	A182 F6	
10	Ring	ASTM A182 F6	A182 F6	

OTHER MATERIALS ON REQUEST



**CAST STEEL “ Y “
D-KTC
YSC2500 Pressure Seal**

HOW TO SERVICE
Strainer maintenance should be made at least once year, or whenever the pressure drop is found to be in excess of the normal figures. A quick clean-up system, to made approximately once a month, is to blow-off small impurities trough the drain-plug (7). It is recommended to nstall a drain valve by a nipple to the drain hole to speed-up this operation. For a complete maintenance follow the points here below:

- 1- Be sure that the main line has been shut-off.
- 2- Untighten cover stud bolts (5) and nuts (6) and remove cover (2) and gasket (4).
- 3- Withdraw screen (3) an carefully inspect it for damages. If any hole in the screen is found obstructed, clean it with compressed air and / or any suitable tool. If the screen is broken in any part or out of shape, replace it with a new spare one. **Never reinstall a broken or distorted screen.**
- 4- Carefully clean the inside of the strainer body.
- 5- Fit a new gasket (4).
- 6- Install the new screen or the cleaned one (3). Be sure to center the screen in the upper seat.
- 7- Put in place cover (2). Be sure that drain plug (7) is closed.
- 8- Slowly give pressure to the line, checking for leakages.
- 9- Write on the strainer body the date of this maintenance operation.**

Note:
