

**CAST STEEL "Y"  
D-KTC  
YSC300**

*Designed to ANSI B16.34 the strainer bodies are produced with a superior wallthickness for corrosion allowance.*

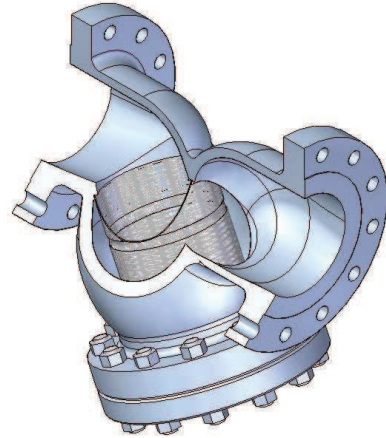
*Standard strainers are equipped with screens for the average service of most mediums ( steam, gas, air, oil, chemicals , etc. ).*

*The large screen open area ensures an efficient filtering action with a low pressure drop.*

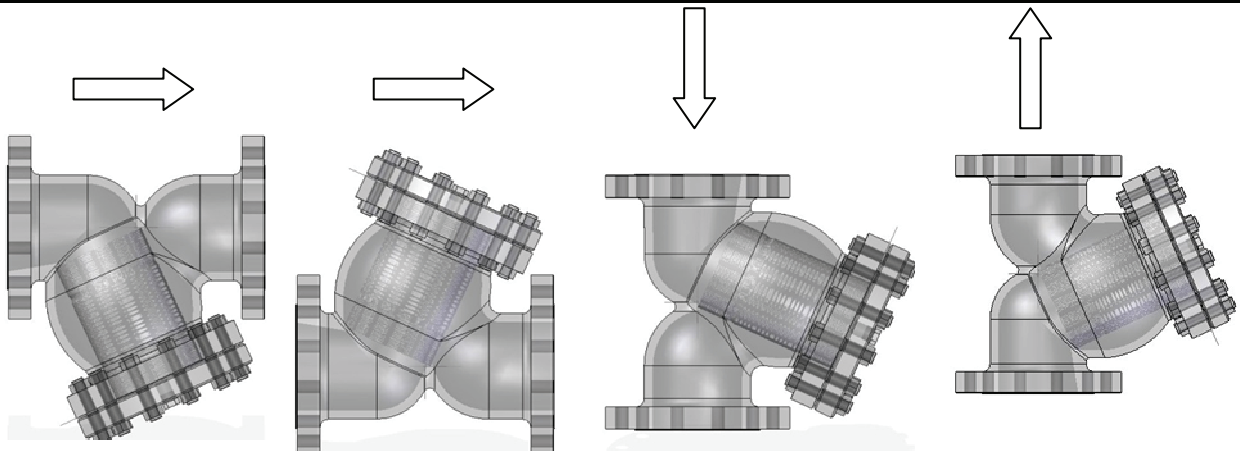
*Filtering area to inlet area ratio is larger than 3 to 1 .*

*Screens area manufactured with perforated plate in the materials and with the perforation specified in the relevant tables .*

*Screens with different perforation ( or wire mesh ) and materials may be manufactured on request.*



**Installation**



**Correct**

**Wrong**

**Correct**

**Wrong**

*All strainers should be mounted as close as possible to the valve or machinery which they are being installed to protect. It is important to ensure that the strainer installed with the flow following the same direction as the flow direction arrow cast onto the strainer body.*

*For mounting in horizontal or inclined pipelines, ensure that the screen housing is always mounted below the pipeline.*

# CAST STEEL "Y" D-KTC YSC300

### CONNECTIONS

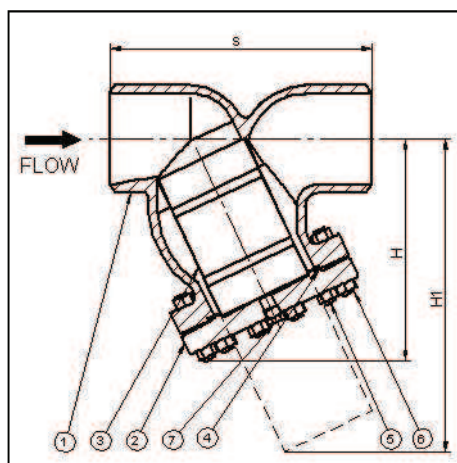
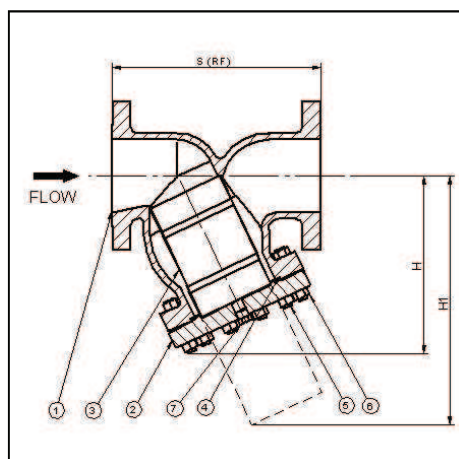
Buttweld	ASME B 16.25
Flanged	ASME B 16.5

### LIMITING CONDITIONS

According to the body rating (ANSI B 16.34)  
C300 – ANSI 300

Size (Inches)	1/2"	3/4"	1"	1.1/2"	2"	3"	4"	6"	8"	10"	12"	14"	16"	18"	20"	24"
S(RF)[mm]	152	178	203	229	267	318	356	445	559	622	711	838	864	978	1016	1346
S [mm]	152	178	203	229	267	318	356	445	559	622	711	838	864	978	1016	1346
H [mm]	70	80	115	128	175	240	330	380	500	625	740	805	920	1025	1140	1360
H1[mm]	150	170	240	260	250	275	360	470	575	920	1100	1200	1360	1350	1700	2050
Weight [kg]	6	9	11	20	20	45	65	105	180	254	430	670	750	863	1125	1625

STANDARD PERFORATIONS: 1.5 mm  
SPECIAL PERFORATIONS ON REQUEST  
DRAIN PLUG: 3/4" NPT



Pos.	Description	Materials		Spares
1	Body	ASTM A216 WCB	ASTM A351 CF8M	
2	Bonnet	ASTM A105	ASTM A182 F316	
3	Screen	SS 316	SS 316	x
4	Gasket	SS 316 / Graph.	SS 316 / Graph.	x
5	Stud Bolts	ASTM A193 B7	ASTM A320 L7	
6	Nuts	ASTM A194 2H	ASTM A194 Gr.4	
7	Drain Plug	ASTM A105	ASTM A182 F316	

OTHER MATERIALS ON REQUEST

