

**CAST STEEL "Y"
D-KTC
YSC600**

Designed to ANSI B16.34 the strainer bodies are produced with a superior wallthickness for corrosion allowance.

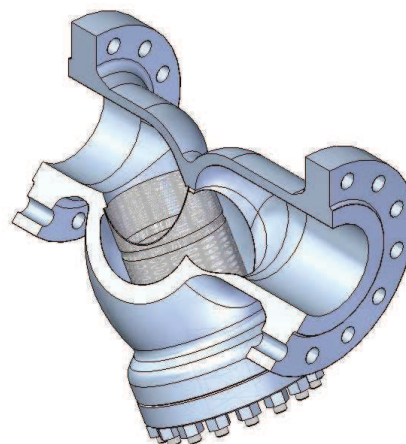
Standard strainers are equipped with screens for the average service of most mediums (steam, gas, air, oil, chemicals , etc.).

The large screen open area ensures an efficient filtering action with a low pressure drop.

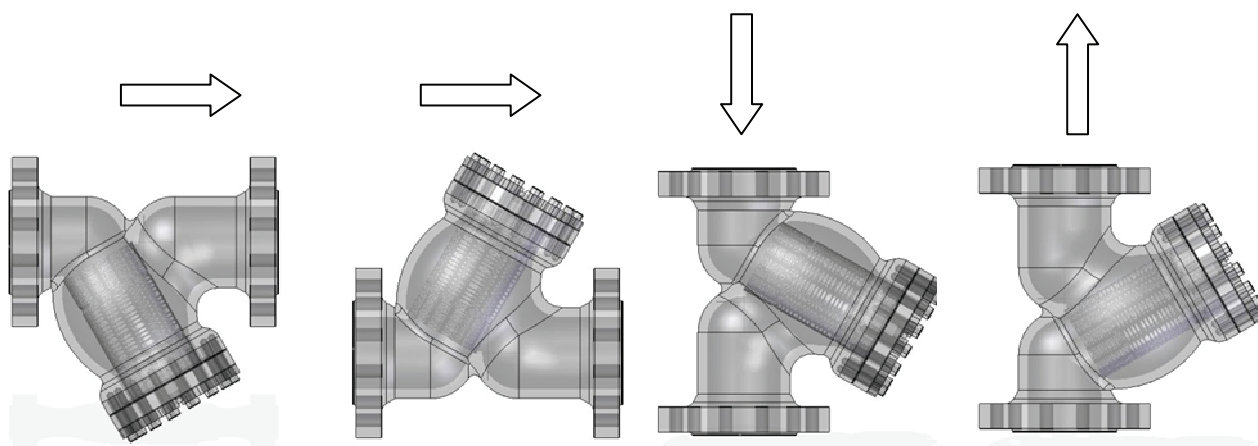
Filtering area to inlet area ratio is larger than 3 to 1 .

Screens area manufactured with perforated plate in the materials and with the perforation specified in the relevant tables .

Screens with different perforation (or wire mesh) and materials may be manufactured on request.



Installation



Correct

Wrong

Correct

Wrong

All strainers should be mounted as close as possible to the valve or machinery which they are being installed to protect. It is important to ensure that the strainer installed with the flow following the same direction as the flow direction arrow cast onto the strainer body.

For mounting in horizontal or inclined pipelines, ensure that the screen housing is always mounted below the pipeline.

CAST STEEL "Y" D-KTC YSC600

CONNECTIONS

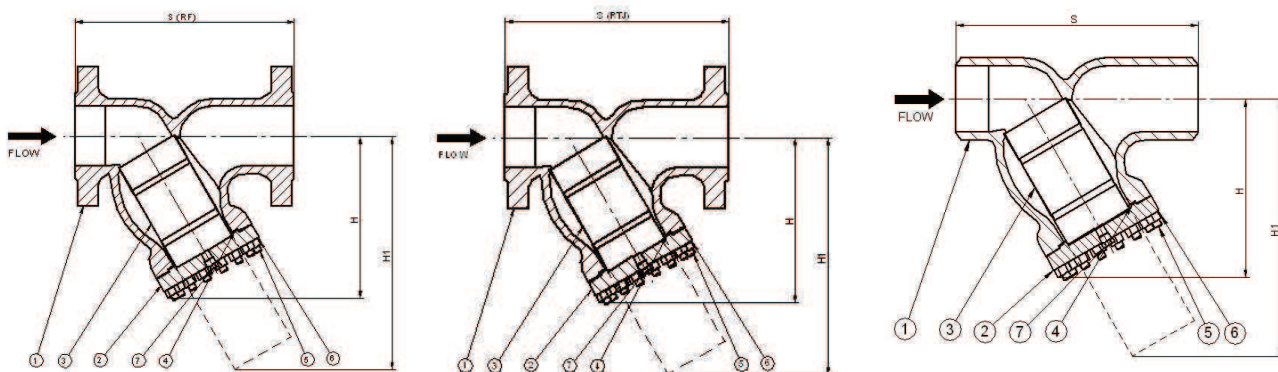
Buttweld	ASME B 16.25
Flanged	ASME B 16.5

LIMITING CONDITIONS

According to the body rating (ANSI B 16.34)
C600 – ANSI 600

Size (Inches)	1/2"	3/4"	1"	1.1/2"	2"	3"	4"	6"	8"	10"	12"	14"	16"
S(RTJ)[mm]	165	191	216	241	295	259	435	562	663	790	841	892	994
S(RF)[mm]	165	191	216	241	292	356	432	559	660	787	838	889	991
S [mm]	165	191	216	241	292	356	432	559	660	787	838	889	991
H [mm]	120	140	170	180	193	260	310	400	500	600	720	865	991
H1[mm]	180	210	240	270	270	320	400	530	650	790	1200	1420	1520
Weight [kg]	6	9	11	20	35	60	95	230	400	590	700	770	1140

STANDARD PERFORATIONS: 1.5 mm
SPECIAL PERFORATIONS ON REQUEST
DRAIN PLUG: 3/4" NPT



Pos.	Description	Materials		Spares
1	Body	ASTM A216 WCB	ASTM A351 CF8M	
2	Bonnet	ASTM A105	ASTM A182 F316	
3	Screen	SS 316	SS 316	x
4	Gasket	SS 316 / Graph.	SS 316 / Graph.	x
5	Stud Bolts	ASTM A193 B7	ASTM A320 L7	
6	Nuts	ASTM A194 2H	ASTM A194 Gr.4	
7	Drain Plug	ASTM A105	ASTM A182 F316	

OTHER MATERIALS ON REQUEST

